

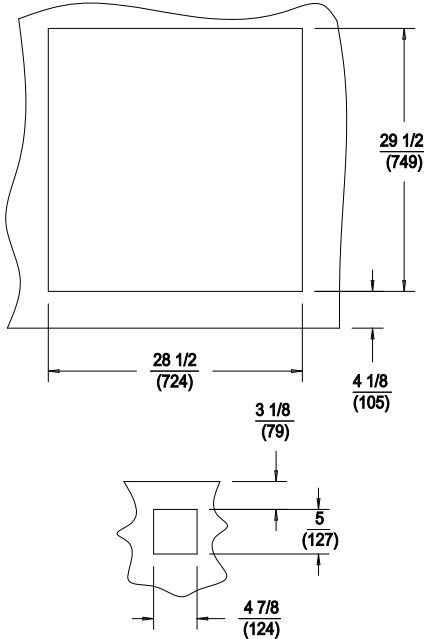
**INSTALLATION INSTRUCTIONS
DROP-IN BAIN MARIE
STYLE HEATED TANK
MODEL HT-227**

ELECTRICAL

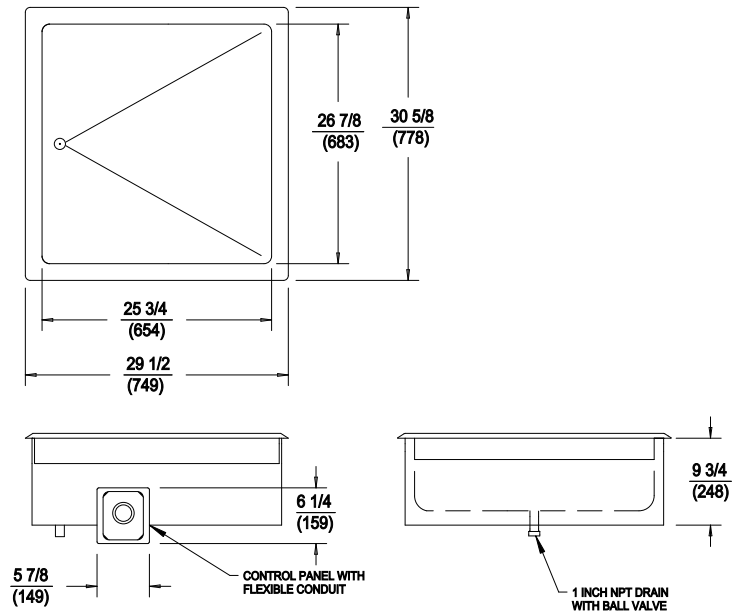
MODEL	VOLTS	WATTS	AMPS	PHASE	FIELD WIRING GAUGE	TEMP. RATING
HT-227	208	2500	11.9	SINGLE	12 AWG Cu	90°C
HT-227	240	3300	13.8	SINGLE	12 AWG Cu	90°C

INCHES
(MM)

CUTOUT DETAILS



PRODUCT DIMENSIONS



INSTALLATION INSTRUCTIONS

CLEARANCES

INSTALLER MUST MEET CONDITIONS OF ACCEPTABILITY OUTLINED BELOW UPON INSTALLATION:

1. Required installation clearances:
Wooden and Metal Installation; DO NOT install closer than 4 1/8 inches to front wall, 1 inch to back and side walls, and 10 3/4 inches to surface below the unit.
2. Unit shall be accessible for servicing from the bottom.
3. If storage is to be used underneath the unit, it is recommended that a baffle be placed 12 inches below the unit to avoid contact with elevated temperatures.

TO FABRICATE:

1. Lay out "cutout" dimensions on countertop and front apron.
2. Lay out and fabricate control panel holes in counter apron using the control box as a template.
3. Cut out holes

TO INSTALL:

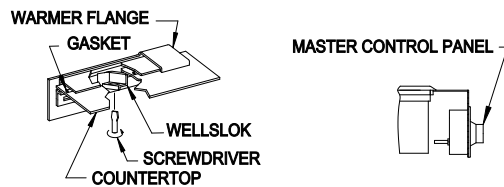
IMPORTANT - DO NOT disconnect lead wires from the Master Control Panel when making installation.

1. Tilt and pass Control Panel and electrical box through the countertop cutout, then through the apron cutout. Lower modular section into countertop cutout and position.

RECOMMENDATION: Before final seating of modular section to countertop, apply a bead of silicone adhesive/sealant to the underside of gasket supplied on the mounting flange.

2. From underneath, insert screwdriver into slots in Wellslock frame and twist ears outward (clockwise) as required to secure flange tightly to countertop.
3. Mount Control Box to apron cutout as shown in drawing.
4. Mount Control Panel onto electrical box using the screws supplied.

MINIMUM CLEARANCE REQUIRED FROM UNIT TO THE NEAREST SURFACE			
BACK	SIDE	BOTTOM	FRONT
1	1	10 3/4	4 1/8
(25)	(25)	(273)	(105)



TO PLUMB:

1. A drain with valve is supplied on all units. Location of the valve handle is at the discretion of the fabricator (see drawing).
2. Connect 1" drain connection to a suitable drain line.

TO WIRE:

1. Final connection is accomplished by bringing proper power supply leads (see "WIRING REQUIREMENTS" label) through conduit knockout to wire leads supplied within the Master Control Panel. Check nameplates for voltage and phase.

NOTES:

BAIN MARIE STYLE HEATED TANKS ARE DESIGNED FOR WET OPERATION ONLY.

THIS EQUIPMENT IS TO BE INSTALLED TO COMPLY WITH APPLICABLE FEDERAL, STATE OR LOCAL PLUMBING AND ELECTRICAL CODES.