

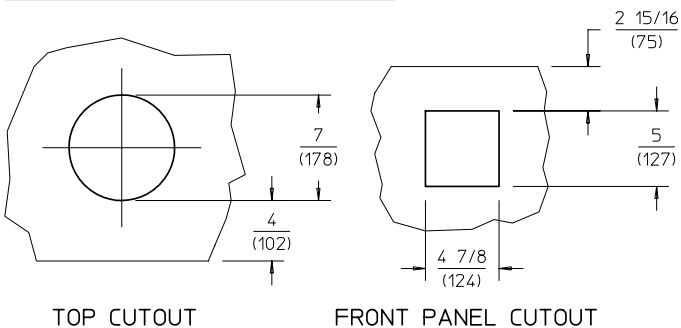
ELECTRICAL

INSTALLATION INSTRUCTIONS BUILT-IN ROUND FOOD AND LIQUID WARMERS

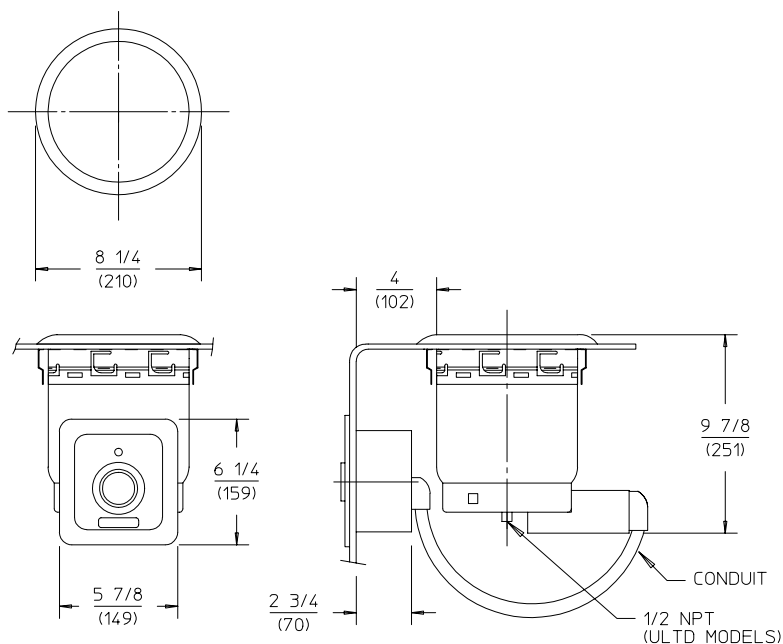
MODELS SS-4ULT, SS-4ULTD
SS-4EUT, SS-4EUTD

MODEL	VOLTS	WATTS	AMPS	PHASE	FIELD WIRING GAUGE	TEMP. RATING
SS-4ULT	120	825	6.9	SINGLE	14	90°C
SS-4ULT	208	620	3.0	SINGLE	14	90°C
SS-4ULT	240	825	3.4	SINGLE	14	90°C
SS-4EUT	220-240	825	3.4	SINGLE	14	90°C
SS-4ULTD	120	825	6.9	SINGLE	14	90°C
SS-4ULTD	208	620	3.0	SINGLE	14	90°C
SS-4ULTD	240	825	3.4	SINGLE	14	90°C
SS-4EUTD	220-240	825	3.4	SINGLE	14	90°C

CUTOUT DETAILS



PRODUCT DIMENSIONS



CLEARANCES

MINIMUM CLEARANCE REQUIRED UNIT TO THE NEAREST SURFACE			
BACK	SIDE	BOTTOM	FRONT
1 (25)	1 (25)	8 (203)	4 (102)

INSTALLATION INSTRUCTIONS

INSTALLER MUST MEET CONDITIONS OF ACCEPTABILITY OUTLINED BELOW UPON INSTALLATION:

- Required installation clearances:
Wooden and Metal Installation: DO NOT install closer than 4 inches to front wall, 1 inch to back and side walls, and 8 inches to a surface below the unit.
- Unit shall be accessible for servicing from the bottom.
- If storage is to be used underneath the unit, it is recommended that a baffle be placed 8 1/2 inches below the unit to avoid contact with elevated temperatures.

TO FABRICATE:

- Lay out "cutout" dimensions on countertop and front apron.
- Lay out and fabricate control panel holes in counter apron using the control box as a template.
- Cut out holes (Note: "stiffening" around perimeter of the countertop cutout is not normally required).

TO INSTALL:

IMPORTANT - DO NOT disconnect lead wires from the Control Panel when installing.

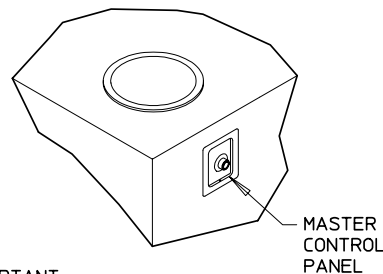
- Press the self sticking 'gray' gasket material along the perimeter of the appliance mounting flange, about 1/4 inch from the outside edge. Remove the paper backing as the gasket is applied.

RECOMMENDATION: Before final seating of modular section to countertop, apply a bead of silicone adhesive/sealant to the underside of warmer flange.

- Locate warmer and control box over countertop cutout. Pass control box through countertop cutout and front panel cutout.
- Seat warmer onto countertop and the mount control box into front panel cutout.
- From underneath, insert screwdriver into slots on wellslök flange and twist outward (clockwise) to tighten unit down to countertop (see detail at right).

- Mount the control panel to control box using screws supplied.

NOTE: INSTALLATION MUST MEET LOCAL PLUMBING AND ELECTRICAL CODES.



IMPORTANT:
MOUNT APPLIANCE SO THAT THE CONTROL PANEL IS LOCATED TO THE FRONT OF THE FIXTURE.

