

WG-2424G, WG-2436G, WG-3036G & WG-3048G



Wells Gas Countertop Griddles are designed for use with natural or LP gas. In addition to the standard grill surface there are two options to choose from, grooved or chrome-plated. The griddles have u-shaped burners and internal baffling to direct heat and airflow for greater efficiency.

Features

- **Stainless steel hinged front panel** protects control knobs.
- **Each individual snap-action thermostat** controls twelve inches of the cooking surface.
- **Griddle surface** is a 3/4" thick, steel plate heated by u-shaped burners that provide even heat distribution over the entire surface.
- **Each burner** has an adjustable air shutter to provide optimum combustion.
- **Full width front grease trough** allows convenient cleaning of entire griddle surface.
- **Integral splashguard** makes clean up of surrounding surfaces easier.
- **The removable front grease drawer** has a four-quart capacity.
- Available for use with **natural or LP gas**.
- **The WG-2424G – WG-3048G gas griddles** meet ANSI Z83 and NSF International standards.
- **A one-year warranty** against defects covers parts and labor.

Specifications

| Overall Dimensions: | W (In.) | D (In.) |
|-----------------------------|----------|----------|
| WG-2424G | 23 3/4 | 25 3/8 |
| WG-2436G | 35 3/4 | 25 3/8 |
| WG-3036G | 35 3/4 | 30 |
| WG-3048G | 47 13/16 | 30 |
| Griddle Surface Dimensions: | W (In.) | D (In.) |
| WG-2424G | 23 7/8 | 20 1/2 |
| WG-2436G | 35 7/8 | 20 1/2 |
| WG-3036G | 35 7/8 | 24 |
| WG-3048G | 47 3/4 | 24 |
| Typical Production | Per Load | Per Hour |
| WG-2424G | | |
| Hamburgers | 37 | 555 |
| Steaks | 14 | 160 |
| Pancakes | 30 | 360 |
| Eggs | 40 | 560 |
| WG-2436G | | |
| Hamburgers | 55 | 825 |
| Steaks | 21 | 250 |
| Pancakes | 44 | 528 |
| Eggs | 57 | 798 |
| WG-3036G | | |
| Hamburgers | 73 | 1095 |
| Steaks | 26 | 310 |
| Pancakes | 60 | 720 |
| Eggs | 79 | 1106 |
| WG-3048G | | |
| Hamburgers | 87 | 1392 |
| Steaks | 34 | 408 |
| Pancakes | 68 | 816 |
| Eggs | 90 | 1260 |
| Weights: | Lbs. | KG |
| WG-2424G | 190 | 210 |
| WG-2436G | 257 | 291 |
| WG-3036G | 305 | 325 |
| WG-3048G | 359 | 423 |

Accessories / Options

Chrome-plated griddle surface, allows more efficient heat transfer throughout the cooking area, available by special order.

Grooved griddle surface, 3/4-inch thick ribbed steel plate that allows for the "branding" of meat products, available by special order.





STD.4

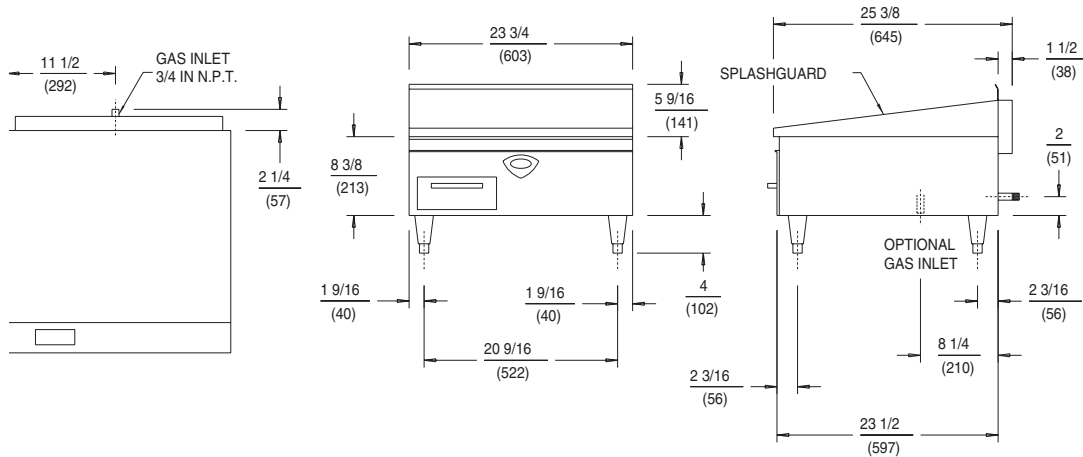
**MODELS
WG-2424G, WG-2436G
GAS COUNTERTOP GRIDDLES**

DIMENSIONS:

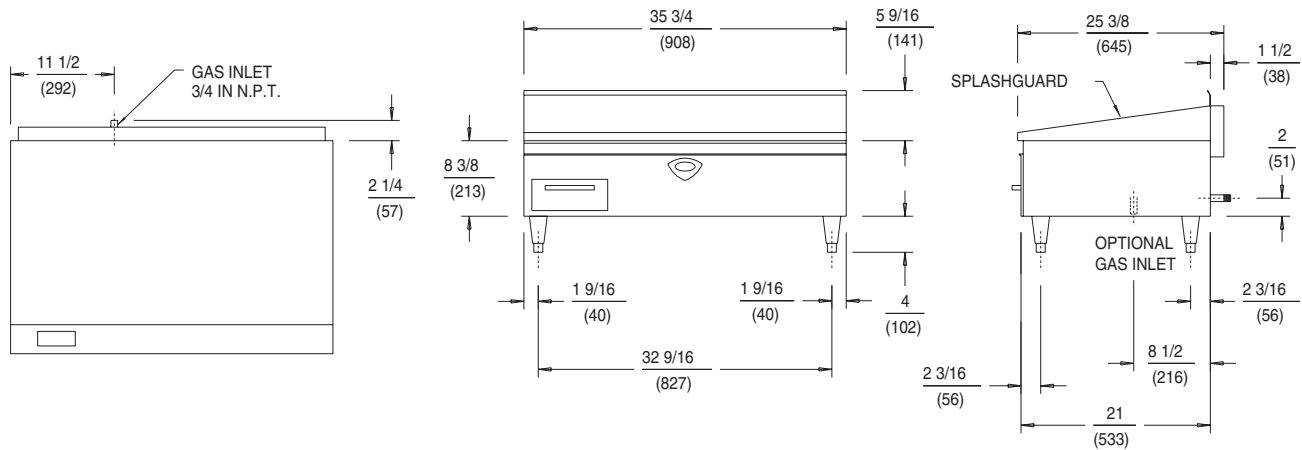
INCH
(MM)

| MINIMUM CLEARANCE REQUIRED FROM UNIT TO THE NEAREST COMBUSTIBLE OBJECT | | | |
|--|------|--------|-----|
| BACK | SIDE | BOTTOM | TOP |
| 3 | 3 | 4 | NA |
| (76) | (76) | (102) | NA |

**MODEL
WG-2424G**



**MODEL
WG-2436G**



WG-2424, WG-2436G ELECTRICAL SPECIFICATIONS:

| MODELS | NUMBER OF BURNERS | NUMBER OF THERMOSTATS | GAS CONSUMPTION | | MANIFOLD PRESSURE | |
|----------|-------------------|-----------------------|-----------------|--------------|-------------------|---------------|
| | | | BTU/HR/BURNER | TOTAL BTU/HR | NATURAL | PROPANE |
| WG-2424G | 2 | 2 | 25000 | 50000 | 5.0 In. W.C. | 10.0 In. W.C. |
| WG-2436G | 3 | 3 | 25000 | 75000 | 5.0 In. W.C. | 10.0 In. W.C. |

NOTE: Specifications are subject to change without notice.



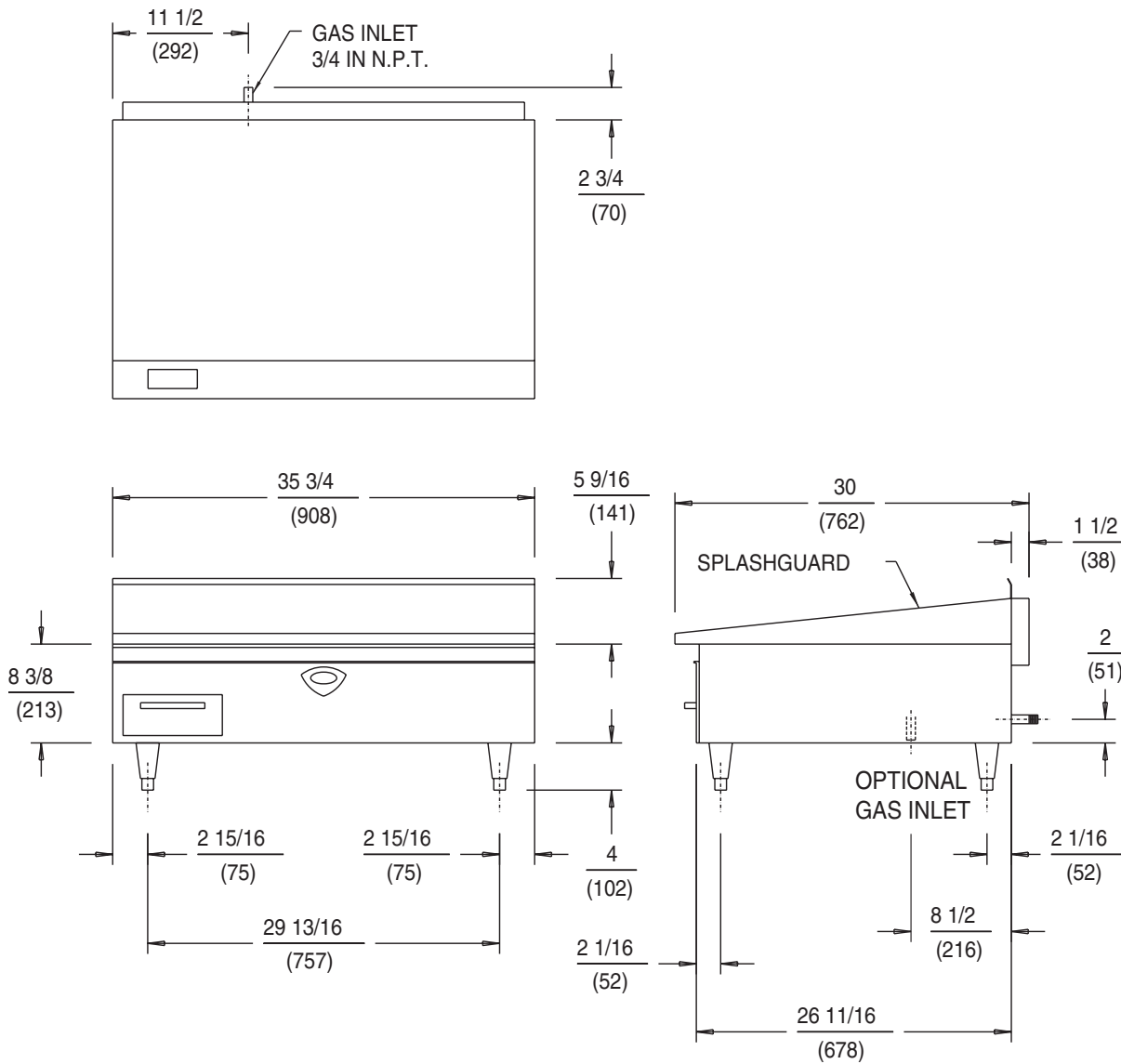
STD.4

**MODEL
WG-3036G
GAS COUNTERTOP GRIDDLE**

DIMENSIONS:

$\frac{\text{INCH}}{\text{(MM)}}$

| MINIMUM CLEARANCE REQUIRED FROM UNIT TO THE NEAREST COMBUSTIBLE OBJECT | | | |
|--|---------------|---------------|-----|
| BACK | SIDE | BOTTOM | TOP |
| $\frac{3}{4}$ | $\frac{3}{4}$ | $\frac{4}{4}$ | NA |
| (76) | (76) | (102) | NA |



WG-3036G ELECTRICAL SPECIFICATIONS:

| MODELS | NUMBER OF BURNERS | NUMBER OF THERMOSTATS | GAS CONSUMPTION | | MANIFOLD PRESSURE | |
|----------|-------------------|-----------------------|-----------------|--------------|-------------------|---------------|
| | | | BTU/HR/BURNER | TOTAL BTU/HR | NATURAL | PROPANE |
| WG-3036G | 3 | 3 | 25000 | 75000 | 5.0 In. W.C. | 10.0 In. W.C. |

NOTE: Specifications are subject to change without notice.

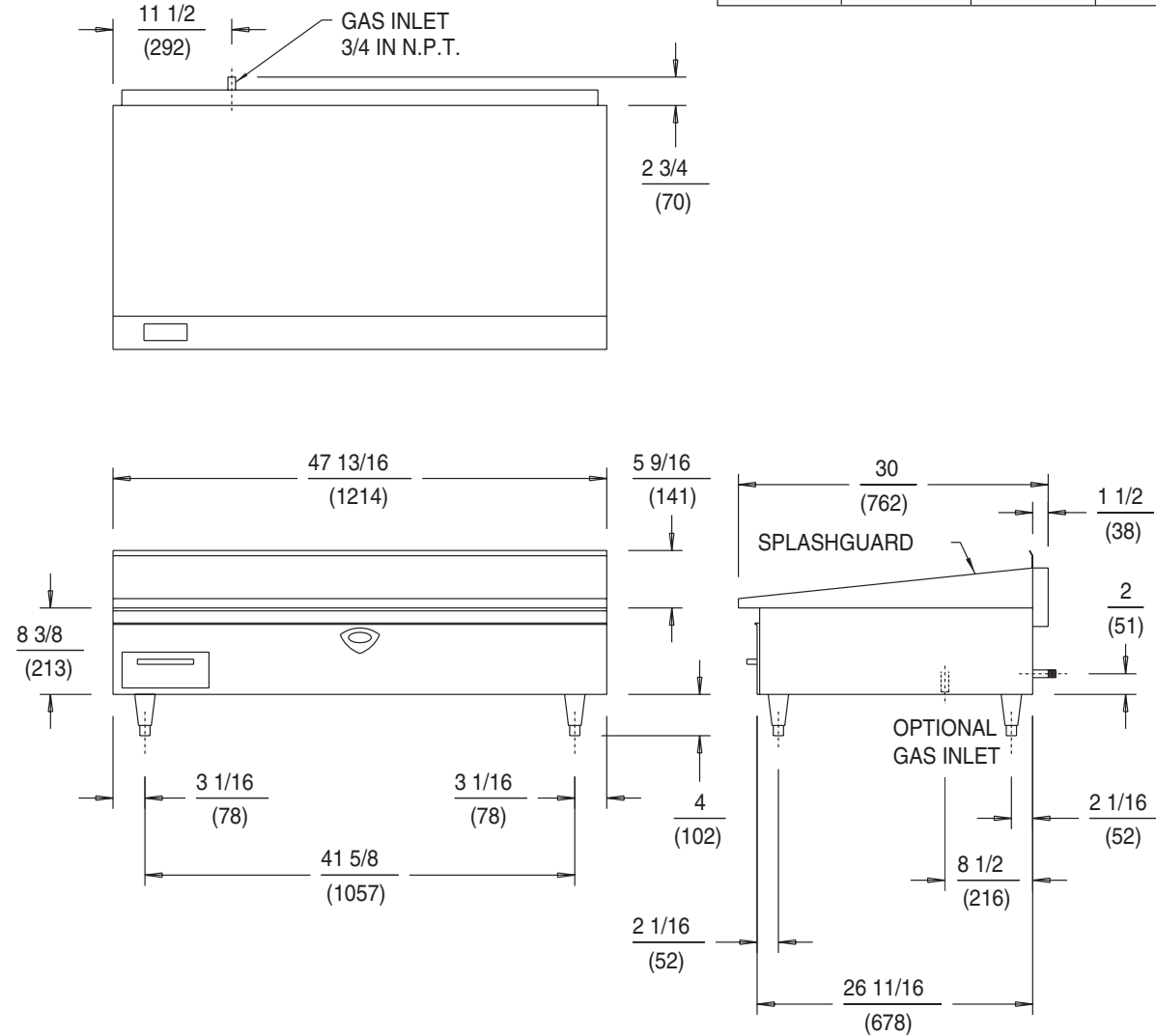


STD.4

**MODEL
WG-3048G
GAS COUNTERTOP GRIDDLE**

DIMENSIONS: INCH
 (MM)

| MINIMUM CLEARANCE REQUIRED FROM UNIT TO THE NEAREST COMBUSTIBLE OBJECT | | | |
|--|------|--------|-----|
| BACK | SIDE | BOTTOM | TOP |
| 3 | 3 | 4 | NA |
| (76) | (76) | (102) | NA |



WG-3048G ELECTRICAL SPECIFICATIONS:

| MODELS | NUMBER OF BURNERS | NUMBER OF THERMOSTATS | GAS CONSUMPTION | | MANIFOLD PRESSURE | |
|----------|-------------------|-----------------------|-----------------|--------------|-------------------|---------------|
| | | | BTU/HR/BURNER | TOTAL BTU/HR | NATURAL | PROPANE |
| WG-3048G | 4 | 4 | 25000 | 100000 | 5.0 In. W.C. | 10.0 In. W.C. |

NOTE: Specifications are subject to change without notice.

WELLS MANUFACTURING COMPANY
 2 ERIK CIRCLE, PO BOX 280, VERDI, NV 89439 U.S.A.
 USA PHONE: (775) 689-5700 • FAX: (775) 689-5972
 FOR ORDERS ONLY: (888) 356-5362 • FAX: (800) 356-5142
 www.wells-mfg.com
 © 2002 WELLS MANUFACTURING • PRINTED IN THE U.S.A.
 02/02 • REV(C) • PART NO. 45988

