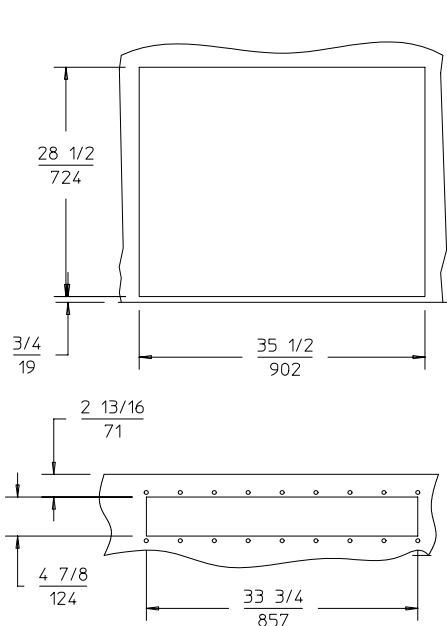


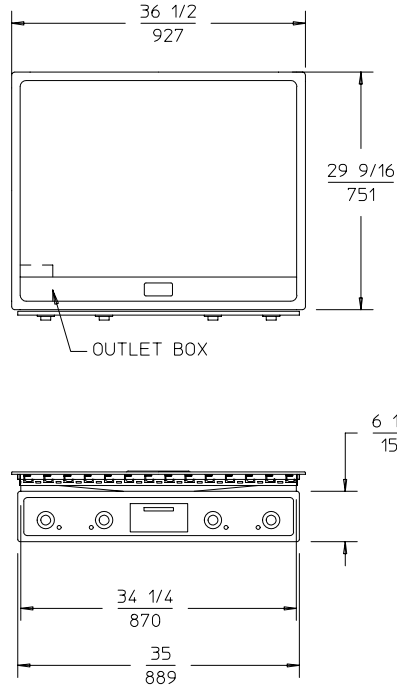
ELECTRICAL

MODEL	VOLTS	WATTS	AMPS PER LINE 3 PHASE			AMPS SINGLE PHASE	FIELD WIRING GAUGE		TEMP. RATING
			L1	L2	L3		3 PHASE	1 PHASE	
G-236	208	16000	48.3	51.3	35.0	76.9	4 AWG Cu	1 AWG Cu	75°C
G-236	240	16000	41.7	44.4	30.4	66.6	4 AWG Cu	3 AWG Cu	75°C
G-236	480	16000	20.9	22.0	15.1	33.3	10 AWG Cu	6 AWG Cu	75°C

CUTOUT DETAILS

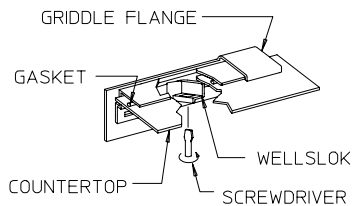
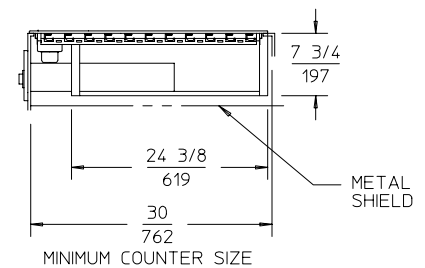


PRODUCT DIMENSIONS



CLEARANCES

SUGGESTED CLEARANCE UNIT TO THE NEAREST SURFACE*			
BACK	SIDE	BOTTOM	FRONT
1 / 25	2 / 51	9 / 229	2 / 51



INSTALLATION INSTRUCTIONS

UNIT MUST BE INSTALLED IN AN ALL METAL COUNTER

THE INSTALLATION OF RECOGNIZED COMPONENT UNITS REQUIRES ADDITIONAL EVALUATIONS TO UNDERWRITERS LABORATORIES STANDARDS.

INSTALLER MUST MEET CONDITIONS OF ACCEPTABILITY OUTLINED BELOW UPON INSTALLATION:

1. This appliance must be installed in an all metal counter with suitable wiring and control enclosures conforming to national and local electrical codes.
2. Electrical component temperatures, including wiring, within and surrounding the appliance must be monitored in the end use installation for suitability.
3. Electrical grounding of all dead metal parts must be reliably connected to the grounding means of the appliance and must comply with requirements outlined in the appropriate Underwriters Laboratories Inc. classification, national and local electrical codes.
4. Increased clearances are required if storage of combustible materials is in close proximity to this appliance.
5. Unit shall be accessible for servicing from bottom.
6. The name/rating plate information shall be accessible.

TO FABRICATE AND INSTALL:

1. Lay out cutout dimensions on countertop and control apron as shown in cutout details.
2. Cut and/or drill holes as required in countertop and apron. NOTE: If stiffener is used around perimeter of countertop cut-out, total thickness of stiffener plus countertop cannot exceed 3/16". Also, make certain stiffener design does not interfere with operation of ears on Wellslok flange.
3. Remove knob and screws holding thermostats to front panel. Remove grease drawer. Disconnect wire from pilot lights. This will remove control panel from griddle. Do NOT disconnect wires from thermostats.
4. Apply a bead of silicone sealant to underside of griddle flange. This will assure a more effective seal between countertop and griddle gasket. Lower thermostat through countertop opening and position griddle on counter.
5. From underneath, insert screwdriver into slots on patented Wellslok frame and twist ears clockwise to secure flange tightly to countertop.
6. Remount the thermostats to control panel. Reconnect wire to pilot light. CAUTION: be extremely careful the pilot light wires are replaced in their original order.
7. Connect service leads to terminal block in the outlet box provided.
8. Slide grease drawer track forward and secure to control panel.
9. Secure control panel to counter apron. Be certain the thermostat capillary tubing is clear of all hot terminals.

NOTE: INSTALLATION MUST MEET LOCAL AND NATIONAL AND ELECTRICAL CODES.