

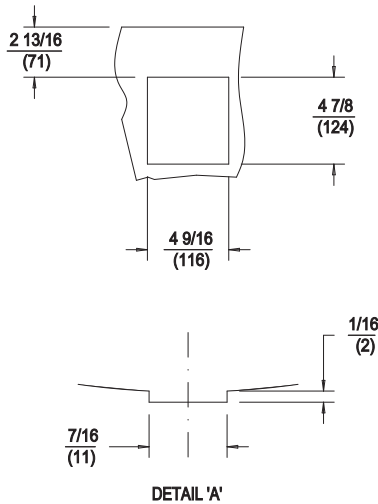
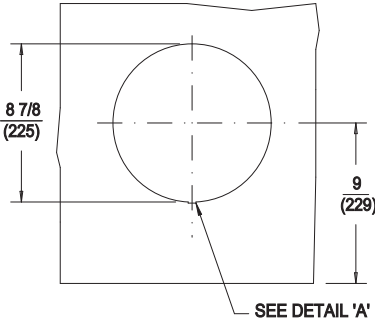
INSTALLATION INSTRUCTIONS  
 BUILT-IN HOTPLATE  
 MODEL H-336

ELECTRICAL

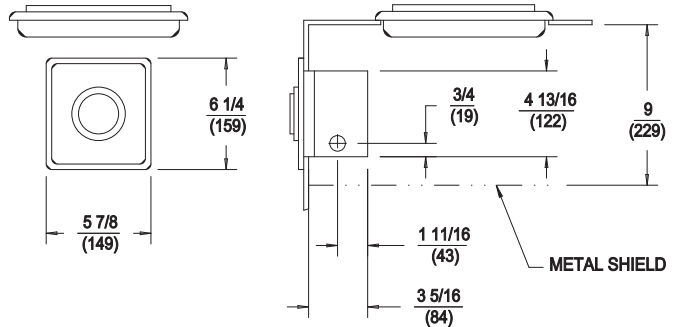
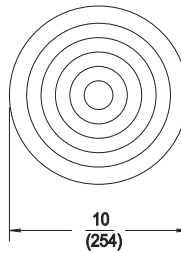
MODEL	VOLTS	WATTS	AMPS	PHASE	FIELD WIRING GAUGE	TEMP. RATING
H-336	208	2000	9.4	SINGLE	14 AWB Cu	90°C
H-336	240	2400	10.8	SINGLE	14 AWB Cu	90°C

INCHES  
(MM)

CUTOUT DETAILS



PRODUCT DIMENSIONS



CLEARANCES

MINIMUM CLEARANCE REQUIRED UNIT TO THE NEAREST SURFACE*			
BACK	SIDE	BOTTOM	FRONT
1 (25)	2 (51)	8 (203)	4 1/8 (105)

INSTALLATION INSTRUCTIONS

UNIT MUST BE INSTALLED IN AN ALL METAL COUNTER

THE INSTALLATION OF RECOGNIZED COMPONENT UNITS REQUIRES ADDITIONAL EVALUATIONS TO UNDERWRITERS LABORATORIES STANDARDS.

INSTALLER MUST MEET CONDITIONS OF ACCEPTABILITY OUTLINED BELOW UPON INSTALLATION:

1. This appliance must be installed in an all metal counter with suitable wiring and control enclosures conforming to national and local electrical codes.
2. Electrical component temperatures, including wiring, within and surrounding the appliance must be monitored in the end use installation for suitability.
3. Electrical grounding of all dead metal parts must be reliably connected to the grounding means of the appliance and must comply with requirements outlined in the appropriate Underwriters Laboratories Inc. classification, national and local electrical codes.
4. Increased clearances are required if storage of combustible materials is in close proximity to this appliance.
5. Unit shall be accessible for servicing from bottom.
6. The name/rating plate information shall be accessible.

TO FABRICATE AND INSTALL:

1. Lay out cutout dimensions on countertop and control apron as shown in cutout details.
  2. Cut and/or drill holes as required in countertop and apron.
  3. Removable Drip Tray located directly below heating element must be installed by fabricator.
  4. Lower control panel through countertop opening. Do not disconnect the lead wires.
  5. Snap trim ring and heating element into countertop cutout.
- NOTE Orientation. The heating element should be positioned so that the terminal insulating block is to the left and the front retaining clip fits into the notch in the cutout.
6. Mount control box to apron using screws supplied. Connect service leads to terminal block located at right of control box.

NOTE: INSTALLATION MUST MEET LOCAL AND NATIONAL ELECTRICAL CODES.