

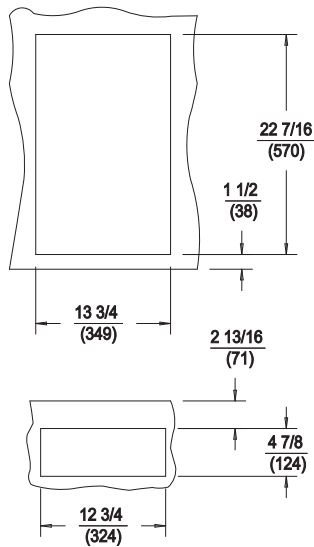
INSTALLATION INSTRUCTIONS
BUILT-IN HOTPLATES
MODEL H-706, H-636

ELECTRICAL

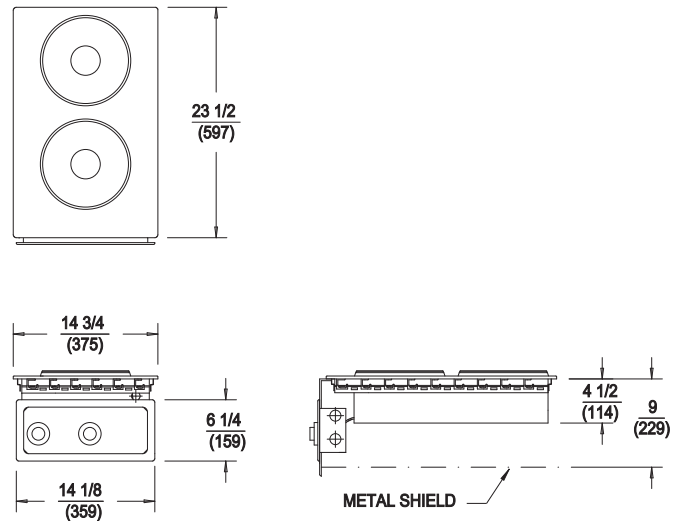
MODEL	VOLTS	WATTS	AMPS PER LINE 3 PHASE			AMPS SINGLE PHASE	FIELD WIRING GAUGE		TEMP. RATING
			L1	L2	L3		3 PHASE	1 PHASE	
H-706	208	3000	12.5	7.2	7.2	14.4	14 AWG Cu	10	90°C
H-706	240	4000	14.4	8.3	8.3	16.7	14 AWG Cu	10	90°C
H-706EU	220-240	4000	-	-	-	16.7	-	10	90°C
H-636	208	3900	16.3	9.4	9.4	18.8	14 AWG Cu	10	90°C
H-636	240	5200	18.8	10.8	10.8	21.7	14 AWG Cu	10	90°C

INCHES
(MM)

CUTOUT DETAILS

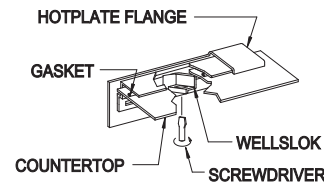


PRODUCT DIMENSIONS



CLEARANCES

SUGGESTED CLEARANCE FROM UNIT TO THE NEAREST SURFACE			
BACK	SIDE	BOTTOM	FRONT
1 (25)	2 (51)	9 (229)	1 (25)



INSTALLATION INSTRUCTIONS

UNIT MUST BE INSTALLED IN AN ALL METAL COUNTER

THE INSTALLATION OF RECOGNIZED COMPONENT UNITS REQUIRES ADDITIONAL EVALUATIONS TO UNDERWRITERS LABORATORIES STANDARDS.

INSTALLER MUST MEET CONDITIONS OF ACCEPTABILITY OUTLINED BELOW UPON INSTALLATION:

1. This appliance must be installed in an all metal counter with suitable wiring and control enclosures conforming to national and local electrical codes.
2. Electrical component temperatures, including wiring, within and surrounding the appliance must be monitored in the end use installation for suitability.
3. Electrical grounding of all dead metal parts must be reliably connected to the grounding means of the appliance and must comply with requirements outlined in the appropriate Underwriters Laboratories Inc. classification, national and local electrical codes.
4. Increased clearances are required if storage of combustible materials is in close proximity to this appliance.
5. Unit shall be accessible for servicing from bottom.
6. The name/rating plate information shall be accessible.

TO FABRICATE AND INSTALL:

1. Lay out cutout dimensions on countertop and control apron as shown in cutout details.
2. Cut and/or drill holes as required in countertop and apron.
3. Place gasket on underside of flange (see detail above).
4. Locate Hotplate over counter to cutout. Pass control panel through countertop cutout and bring it through control cutout on apron. Seat Hotplate on countertop.
5. From underneath, insert screwdriver into slots on patented Wellslok frame and twist ears counterclockwise to secure flange tightly to countertop.
6. Mount control box to apron using screws supplied. Connect service leads to terminal block located at right of control box. Mount front panel to control box.

NOTE: INSTALLATION MUST MEET LOCAL AND NATIONAL ELECTRICAL CODES.