

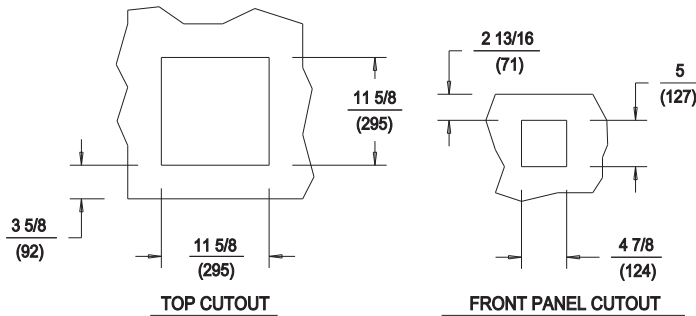
## ELECTRICAL

## INSTALLATION INSTRUCTIONS BUILT-IN HOTPLATE MODEL HC-1006

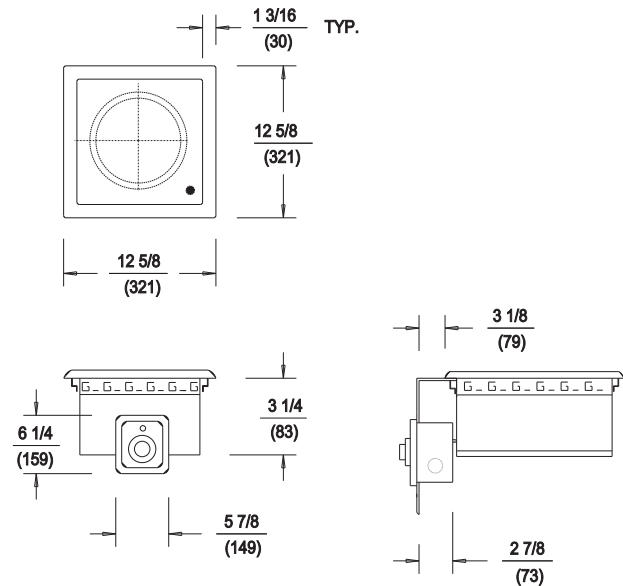
MODEL	VOLTS	WATTS	AMPS	PHASE	FIELD WIRING GUIDE	TEMP. RATING
HC-1006	120	1400	11.7	SINGLE	14 AWB Cu	90°C

INCHES  
(MM)

### CUTOUT DETAILS



### PRODUCT DIMENSIONS



### CLEARANCES

MINIMUM CLEARANCE REQUIRED FROM UNIT TO THE NEAREST SURFACE			
BACK	SIDE	BOTTOM	FRONT
1 (25)	1 (25)	5 (127)	3 5/8 (92)

### INSTALLATION INSTRUCTIONS

INSTALLER MUST MEET CONDITIONS OF ACCEPTABILITY OUTLINED BELOW UPON INSTALLATION:

#### INSTALLATION REQUIREMENTS:

1. This equipment shall be installed in a wood or metal counter.
2. There must be a minimum of 3 5/8 inch clearance between the unit and front wall of the counter; a minimum 1/2 inch clearance between the unit and adjacent cooking appliances; a minimum 1 inch clearance between the unit and side or rear walls of the counter; and a minimum 8 1/4 inch clearance between the countertop and a surface below the unit.
3. Unit shall be accessible for servicing from the bottom.

**IMPORTANT: THE GLASS-CERAMIC SURFACE MUST BE CLEANED PROPERLY. USE THE CLEANING CREME THAT IS PROVIDED WITH THE HOTPLATE.**

#### TO FABRICATE:

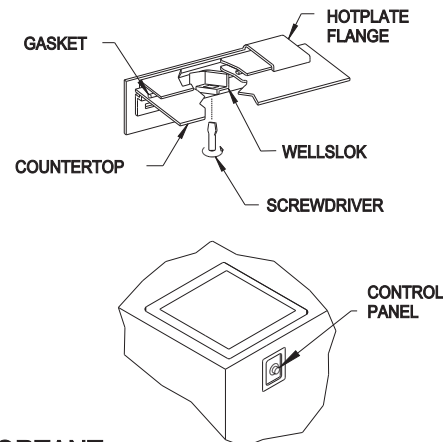
1. Lay out the cutout dimensions on the countertop and front apron.
2. Cutout and/or drill holes as required in the countertop and apron.

**TO INSTALL: (SEE CONDITIONS OF ACCEPTABILITY). IMPORTANT - DO NOT disconnect wiring from the control panel when making the installation.**

1. Place the gray gasket material provided to the underside of the flange (see drawing). Apply a bead of silicone adhesive/sealant to the underside of the gasket.
2. Locate the Hotplate over the countertop cutout. Pass the control panel through the countertop cutout and bring it through the front panel cutout on the apron. Seat the Hotplate on the countertop.
3. From underneath, insert a screwdriver into slots on the Wellslok frame and twist the ears (counter-clockwise) to

- secure the flange tightly to the countertop. The countertop surface must be flat.
4. Mount the control box to the apron using the screws supplied. Connect proper power leads (see wiring requirements label) to the wire leads supplied within the control box. Mount the front panel to the control box.
5. Check the nameplate for voltage and phase.

**NOTE: INSTALLATION MUST MEET LOCAL ELECTRICAL CODES.**



**IMPORTANT: MOUNT APPLIANCE SO THAT THE CONTROL PANEL IS LOCATED TO THE FRONT OF THE FIXTURE.**