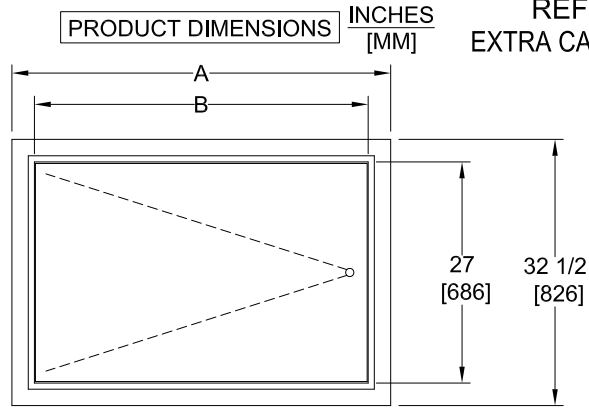
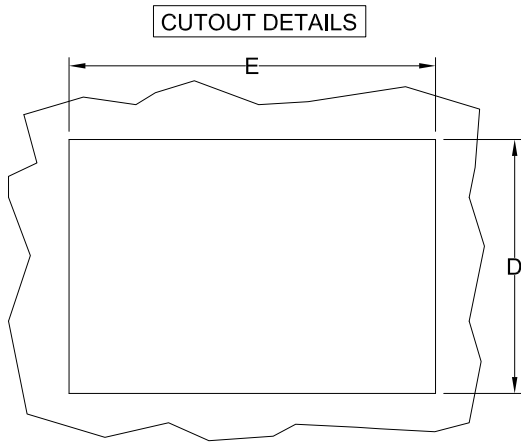


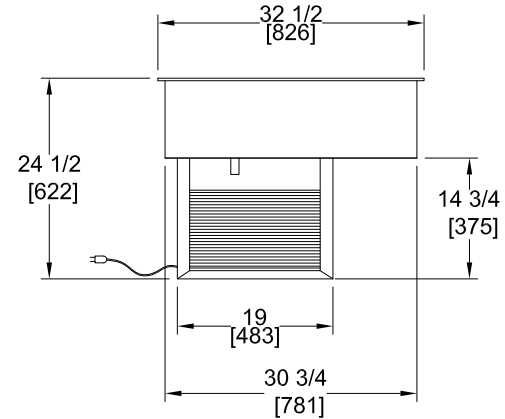
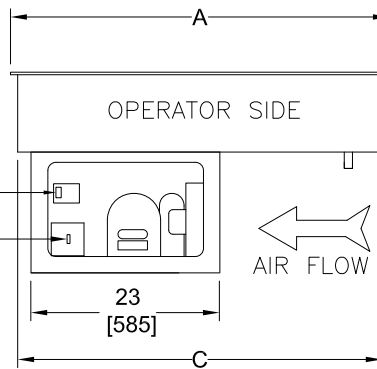
INSTALLATION INSTRUCTIONS

REFRIGERATED COLD PAN
EXTRA CAPACITY 4/3rd PAN MODELS
RCP143
RCP243
RCP343
RCP443
RCP543
RCP643



NOTE:
THERE ARE NO CLEARANCE SPECIFICATIONS
FOR THIS UNIT.

ADJUSTABLE TEMPERATURE CONTROL
POWER SWITCH

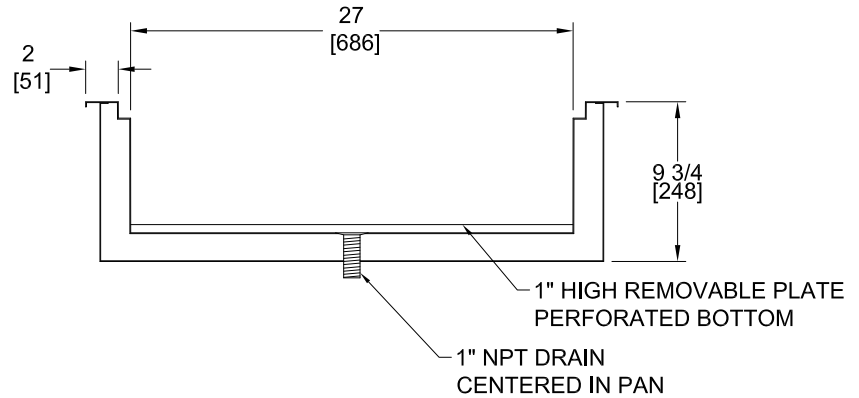


INSTALLER MUST MEET CONDITIONS OF ACCEPTABILITY
OUTLINED BELOW UPON INSTALLATION:

1. This unit may be installed in stainless steel, wood, Formica, or Corian tables and countertops.
2. This unit is shipped completely assembled and requires only a 15 amp dedicated grounded outlet (NEMA 5-15R) and drain connection. Power cord & power switch should be accessible from the front of the unit.
3. When installing the unit, it is essential to provide side openings twice the surface area of the condenser for adequate air circulation. Louvered grills with proper size may be placed in each opening.

TO INSTALL:

1. Lay out "cutout" dimensions on countertop or table.
2. Cut out hole and add stiffeners to support weight of unit if necessary. Countertop must be flat and level before installing cold pan.
3. Apply a generous bead of silicone sealant to underside of mounting flange before setting unit into cutout. Remove any excess sealant from top flange and countertop.
4. Connect 1 inch drain to drain pan or floor drain. Consult local codes for approved drain connections.



CROSS-SECTION OF COLD PAN

MODEL NUMBER	OVERALL DIMENSIONS					CUT-OUT DIMENSIONS					ELECTRICAL AND REFRIGERATION SPECIFICATIONS						
	DIM. A	DIM. B	DIM. C	DIM. D	DIM. E	VOLTS	HP	AMPS SINGLE PHASE			REFRIGERANT		DESIGN PRESSURE		POWER SUPPLY CORD		
								LRA	MFS	L1-N	TYPE	QTY	HIGH	LOW			
RCP143	17 3/8 [442]	11 7/8 [302]	15 5/8 [397]	31 [788]	15 7/8 [404]	115	1/4	38	15	5.5	R134A	28 oz	440	162	NEMA 5-15P		
RCP243	31 [788]	25 1/2 [648]	29 1/4 [743]	31 [788]	29 1/2 [750]	115	1/4	38	15	5.5	R134A	28 oz	440	162	NEMA 5-15P		
RCP343	44 5/8 [1134]	39 1/8 [994]	42 7/8 [1089]	31 [788]	43 1/8 [1096]	115	1/3	39	15	5.5	R134A	28 oz	440	162	NEMA 5-15P		
RCP443	58 1/4 [1480]	52 3/4 [1340]	56 1/2 [1435]	31 [788]	56 3/4 [1442]	115	1/2	41	15	7.0	R404A	24 oz	500	174	NEMA 5-15P		
RCP543	71 7/8 [1826]	66 3/8 [1686]	70 1/8 [1781]	31 [788]	70 3/8 [1788]	115	3/4	59	15	7.5	R404A	32 oz	500	174	NEMA 5-15P		
RCP643	85 1/2 [2172]	80 [2032]	83 3/4 [2127]	31 [788]	84 [2134]	115	3/4	59	15	7.5	R404A	32 oz	500	174	NEMA 5-15P		



WELLS BLOOMFIELD
10 SUNNEN DRIVE, ST. LOUIS MO 63143