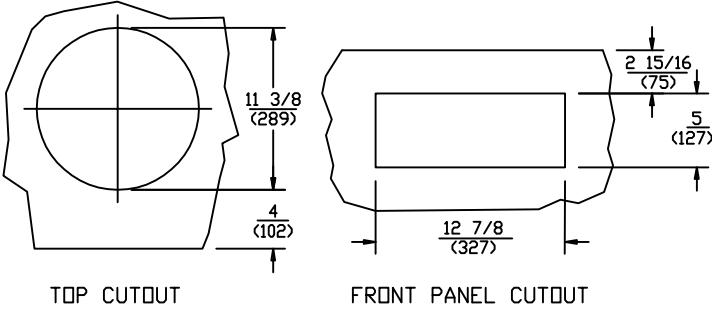


ELECTRICAL

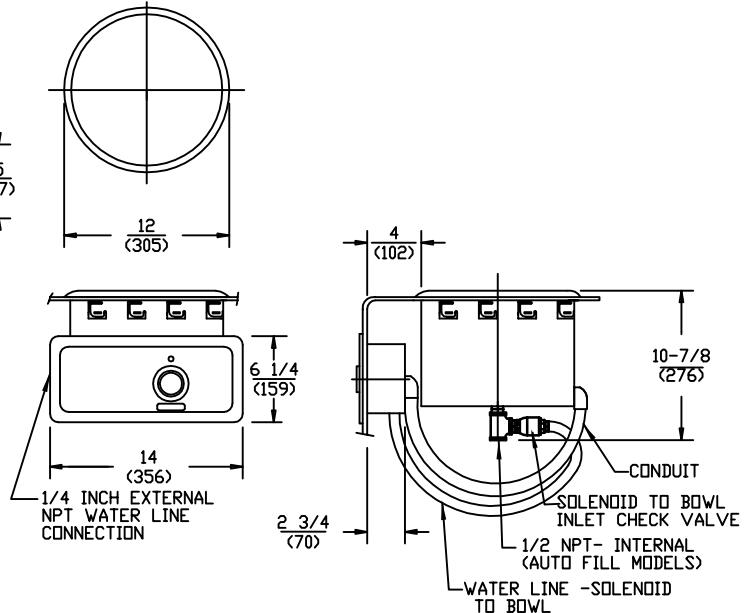
MODEL	VOLTS	WATTS	AMPS	PHASE	FIELD WIRING GAUGE	TEMP. RATING
SS-10TDUIAF	120	825	6.9	SINGLE	14	90°C
SS-10TDUIAF	208	620	3.0	SINGLE	14	90°C
SS-10TDUIAF	240	825	3.4	SINGLE	14	90°C

INSTALLATION INSTRUCTIONS BUILT-IN ROUND FOOD AND LIQUID WARMERS WITH AUTO FILL FEATURE (INSULATED MODELS ONLY) MODEL SS-10TDUIAF

CUTOUT DETAILS INSULATED MODELS W/ AUTO FILL ONLY



PRODUCT DIMENSIONS INSULATED MODELS ONLY



CLEARANCES

MINIMUM CLEARANCE REQUIRED UNIT TO THE NEAREST SURFACE			
BACK	SIDE	BOTTOM	FRONT
1 (25)	1 (25)	8 (203)	4 (102)

4. Mount Control Panel onto electrical box using the screws supplied.

INSTALLATION INSTRUCTIONS

INSTALLER MUST MEET CONDITIONS OF ACCEPTABILITY OUTLINED BELOW UPON INSTALLATION:

1. Required installation clearances:
Wooden and Metal Installation: DO NOT install closer than 4 1/8 inches to front wall, 1 inch to back and side walls, and 6 3/4 inches to surface below the unit. If the control box is located below the unit, the front clearance may be 1 inch.
2. Unit shall be accessible for servicing from the bottom.
3. If storage is to be used underneath the unit, it is recommended that a baffle be placed 8 1/2 inches below the unit to avoid contact with elevated temperatures.
4. For water and waste connections: This appliance is to be installed to comply with the applicable federal, state, or local plumbing codes.

TO FABRICATE:

- Lay out cutout dimensions on countertop and front apron.
- Lay out and fabricate control panel holes in counter apron using the control box as a template.
- Cut out holes (Note: "stiffening" around perimeter of countertop cutout is not normally required).

TO INSTALL:

- IMPORTANT - DO NOT disconnect lead wires from the Master Control Panel when making installation.**
- Tilt and pass Control Panel and electrical box through the countertop cutout, then through the apron cutout. Lower modular section into countertop cutout and position. **RECOMMENDATION:** Before final seating of modular section to countertop, apply a bead of silicone adhesive/sealant to the underside of gray gasket material supplied on the mounting flange.
 - From underneath, insert screwdriver into slots in Wellslock frame and twist ears outward (clockwise) as required to secure flange tightly to countertop.
 - Mount Control Box to apron cutout as shown in drawing.

TO PLUMB:

- Connect 1/2" drain connection to drain valve (not supplied) and suitable drain line.
- Connect 1/4"NPT water supply to Solenoid valve in Outlet Box. Note: Maximum pressure 120 psi, maximum temperature 120°F. A backflow preventor is incorporated in the unit, between the water fill solenoid and pan. Local codes may require an additional vacuum break device. (Not provided by Wells). Device must be installed in accordance with local codes and authorities having jurisdiction.

TO WIRE:

- Final connection is accomplished by bringing proper power supply leads (see "WIRING REQUIREMENTS" label) through conduit knockout to terminal block supplied within the Master Control Panel. Check nameplates for voltage and phase.

NOTE: INSTALLATION MUST MEET LOCAL PLUMBING AND ELECTRICAL CODES.

