



# MDW100 Modular Dry Well

## Installation Instructions

### INSTALLATION REQUIREMENTS

Do not install closer than 4.125 inches (105 mm) to front wall, one [1] inch (25 mm) to back and side walls, and 6.75 inches (171 mm) to a surface below the unit. If storage is to be used underneath, it is recommended that a baffle be placed 8.5 inches (216 mm) below the unit to avoid contact with elevated temperatures. The unit will need to be accessible from the bottom after installation is complete.

A proper electrical connection based on the units electrical specifications will be necessary for installation. *This must be wired and connected by a licensed electrician. Electrical installation will need to pass local electrical codes.*

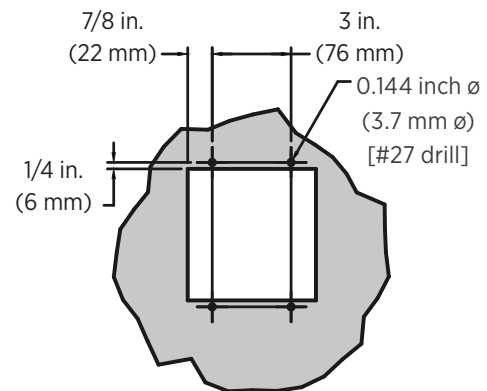
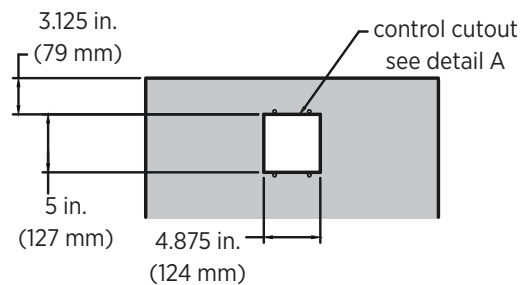
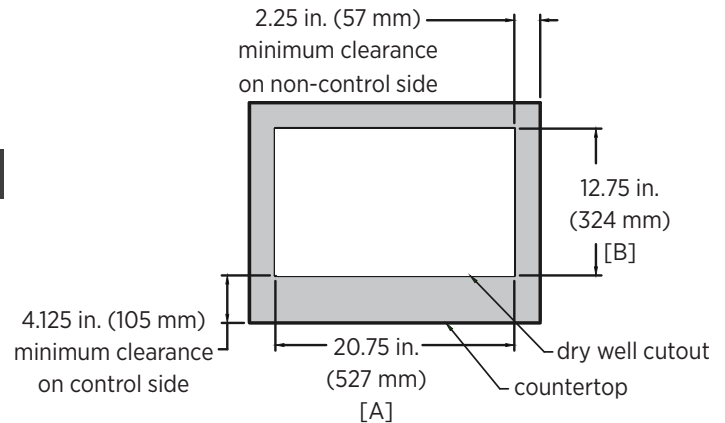
### FABRICATION

- i. Lay out cutout dimensions on countertop and front apron.
- ii. Lay out control panel mounting holes in counter apron using the provided dimensions. The mounting holes should be 0.144 inch (3.7 mm) in diameter [drill size 27].
- iii. Cut out the holes. On many countertops, reinforcement may be needed to stiffen the countertop.

### INSTALLATION INSTRUCTIONS

Do not disconnect the control box from the modular unit.

- i. Remove the knobs and faceplate from the control box. Pass the control box through the countertop cutout, and then through the apron cutout. This will require the box to be rotated so the mounting tabs clear the hole. Next, lower and position the modular section into countertop cutout.
- ii. Before final seating of modular section to countertop, apply a bead of silicone sealant to the underside of the grey gasket material supplied on the mounting flange. From underneath, insert screwdriver into the slots in the Wellslok frame and twist clockwise to move the ears outward as required to secure the flange tightly to countertop.<sup>1</sup>
- iii. Mount the control box to apron cutout using #10 sheet metal [or wood] screws to the facing side where the holes were drilled.
- iv. Run wiring through the conduit knockout to the terminal block, making connection as shown in the unit's wiring diagram to the correct power source.
- v. Mount the front panel onto the control box using the provided hardware and place the knob on. At this point, you should be able to power on the unit and check for proper operation.



The unit's overall depth is 12.125 inches (308 mm) will sit approximately 11.75 inches (298 mm) below the counter surface depending on counter thickness.

When installing multiple units, each unit will need a space of at least 2.125 inches (54 mm) between the cutouts on the long dimension sides [A] and at least 3.625 inches (92 mm) between cutouts on the short dimension side [B].

MODEL	TOTAL kW	VOLTS, PHASE	AMPS
MDW100	0.61	208, 1Φ	2.9
	0.8	240, 1Φ	3.3

The supply wire will need to be a minimum of 16 gauge and be rated to at least 167°F (75°C).

<sup>1</sup> Wellslok adapter kit will use hex screws to tighten and allow installation on countertops up to 1.5 inches (38 mm) thick.



WELLS BLOOMFIELD, LLC • www.wellsbloomfield.com

10 Sunnen Drive • Saint Louis, Missouri 63143

Telephone 888 356 5362 • Fax 314 781 5445

Printed in the U.S.A. • 2M-Z20755 • Rev - • 07.2016

The owner is responsible for proper installation as described above. Please refer to the owner's manual for information regarding installation or use.