

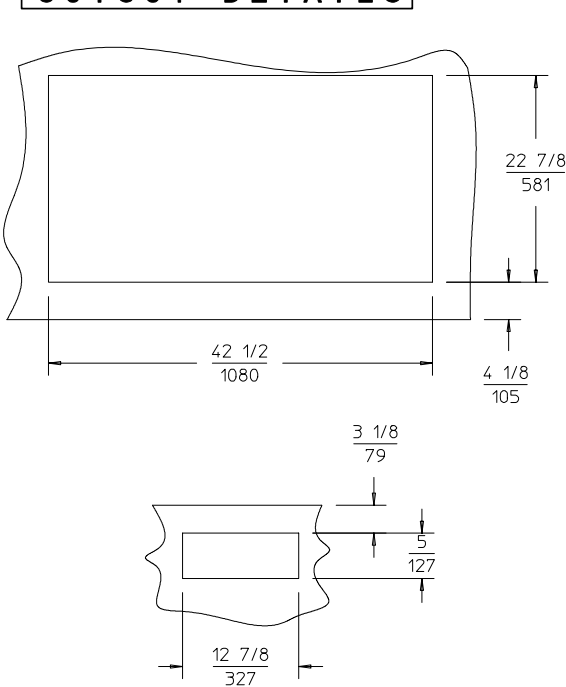
DROP-IN BAIN MARIE STYLE HEATED TANK

MODEL HT-300AF WITH WATER FILL

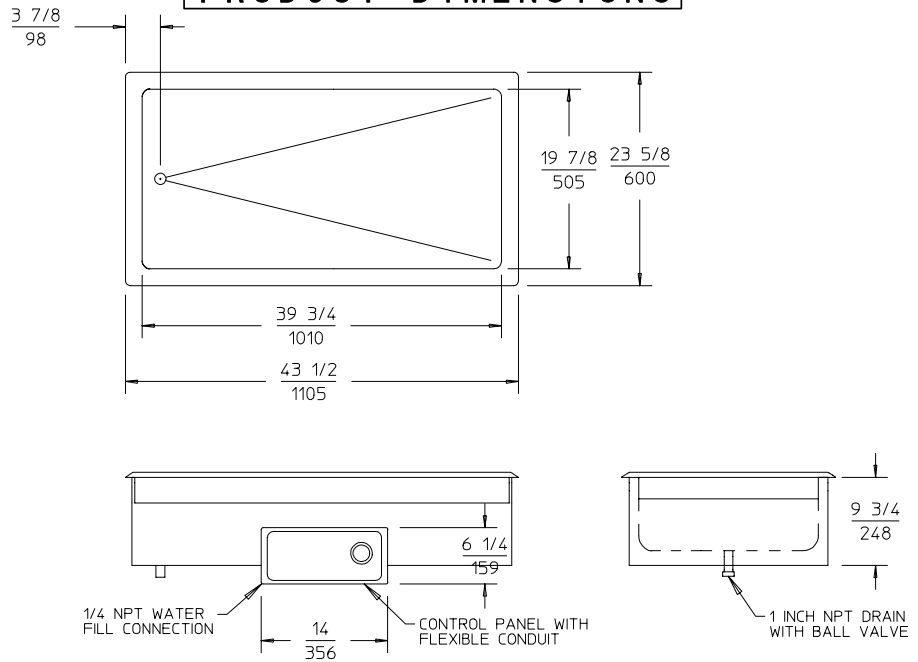
ELECTRICAL

MODEL	VOLTS	WATTS	AMPS	PHASE	FIELD WIRING GAUGE	TEMP. RATING
HT-300AF	208	2700	13.0	SINGLE	12	90°C
HT-300AF	240	3600	15.0	SINGLE	12	90°C

CUTOUT DETAILS



PRODUCT DIMENSIONS



CLEARANCES

INSTALLATION INSTRUCTIONS

INSTALLER MUST MEET CONDITIONS OF ACCEPTABILITY OUTLINED BELOW UPON INSTALLATION:

1. Required installation clearances:
Wooden and Metal Installation: DO NOT install closer than 4 1/8 inches to front wall, 1 inch to back and side walls, and 6 3/4 inches to surface below the unit.
2. Unit shall be accessible for servicing from the bottom.
3. If storage is to be used underneath the unit, it is recommended that a baffle be placed 8 1/2 inches below the unit to avoid contact with elevated temperatures.
4. For water and waste connections: This appliance is to be installed to comply with the applicable federal, state or local plumbing codes.

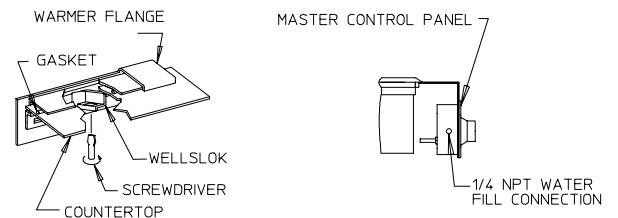
TO FABRICATE:

1. Lay out "cutout" dimensions on countertop and front apron.
2. Lay out and fabricate control panel holes in counter apron using the control box as a template.
3. Cut out holes (Note: "stiffening" around perimeter of countertop cutout not normally required).

TO INSTALL:

- IMPORTANT - DO NOT disconnect lead wires from the Master Control Panel when making installation.**
1. Tilt and pass Control Panel and electrical box through the countertop cutout, then through the apron cutout. Lower modular section into countertop cutout and position.
 - RECOMMENDATION: Before final seating of modular section to countertop, apply a bead of silicone adhesive/sealant to the underside of gasket supplied on the mounting flange.
 2. From underneath, insert screwdriver into slots in Wellstock frame and twist ears outward (clockwise) as required to secure flange tightly to countertop.
 3. Mount Control Box to apron cutout as shown in drawing.
 4. Mount Control Panel onto electrical box using the screws supplied.

MINIMUM CLEARANCE REQUIRED UNIT TO THE NEAREST SURFACE			
BACK	SIDE	BOTTOM	FRONT
1 25	1 25	6 3/4 171	4 1/8 105



TO PLUMB:

1. A drain with valve is supplied on all units. Location of the valve handle is at the discretion of the fabricator (see drawing).
2. Connect 1" drain connection to a suitable drain line.
3. Connect 1/4 NPT flexible water fill line to solenoid valve in outlet box, maximum pressure 120 PSI, maximum temperature 120°F.

TO WIRE:

1. Final connection is accomplished by bringing proper power supply leads (see "WIRING REQUIREMENTS" label) through conduit knockout to terminal block supplied within the Master Control Panel. Check nameplates for voltage and phase.

NOTES:

BAIN MARIE STYLE HEATED TANKS ARE DESIGNED FOR WET OPERATION ONLY.

A BACK FLOW PREVENTER IS INCORPORATED IN THE WATER FILL LINE BETWEEN SOLENOID VALVE AND PAN. LOCAL CODES MAY REQUIRE AN ADDITIONAL VACUUM BREAK DEVICE, NOT PROVIDED BY WELLS.

INSTALLATION MUST MEED LOCAL PLUMBING AND ELECTRICAL CODES.