

# H-336 BUILT-IN HOTPLATE

H-366 BUILT-IN HOTPLATE



**Wells H-336 Built-in Hotplate** is dependable and easy-to-use. The flat, spiral element provides a wider cooking area for more surface contact and is self-cleaning. Drip tray is easily removable for cleaning.

## Specifications

Overall Dimensions:	Inches	MM
Diameter	10	254
Temperature Settings:	OFF/LO to HI	
Number of Controls:	1	
Weights:	Lbs.	KG
Installed	3	1
Shipping	6	3

## Features

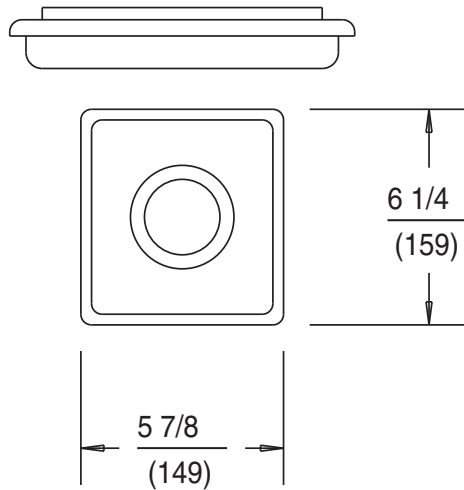
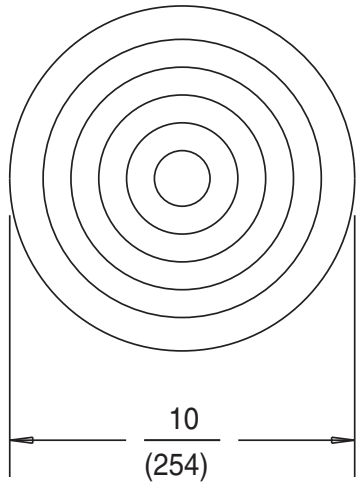
- **The eight-inch diameter, flat, spiral element** provides more surface contact.
- **Control** is recessed in a one-piece, drawn, stainless steel panel to help prevent accidental temperature changes.
- **The element** is self-cleaning.
- **Temperature** is regulated by an infinite control with a positive-off position and a signal light to indicate a power-on condition.
- **Drip tray** is chrome-plated and removable for easy cleaning.
- **The H-336 Hotplate** is Underwriters Laboratories, Inc. Recognized and meets NSF International standards.
- **A one-year warranty** against defects covers parts and labor.





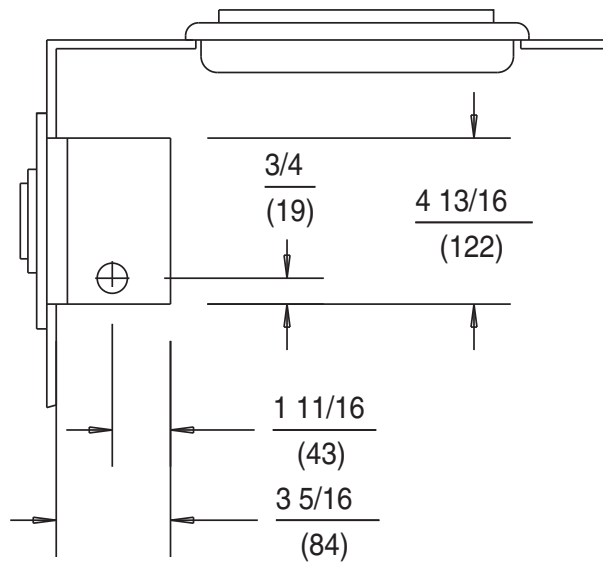
**MODEL  
H-336  
BUILT-IN HOTPLATE**

**DIMENSIONS:**      INCH  
                                    (MM)



SUGGESTED CLEARANCE UNIT TO THE NEAREST SURFACE			
BACK	SIDE	BOTTOM	FRONT
$\frac{1}{2}$ (25)	$\frac{2}{8}$ (51)	$\frac{8}{32}$ (203)	$4 \frac{1}{8}$ (105)

NOTE: Depending on the installation, clearances can be reduced upon further evaluations to UL standards.



**H-336 ELECTRICAL SPECIFICATIONS:**

MODELS	VOLTS	WATTS	AMPS	PHASE	POWER SUPPLY CORD
H-336	208	2000	9.4	SINGLE	NONE
H-336	240	2600	10.8	SINGLE	NONE

NOTE: Specifications are subject to change without notice. See installation instructions prior to installing unit. This document is not for installation purposes. The installation of recognized component units requires additional evaluations to Underwriters Laboratories Inc. standards.

THIS UNIT IS DESIGNED TO BE INSTALLED IN METAL COUNTERS ONLY.

