



Job _____ Item No. _____

WELLS MODEL: WDDI-35



DESCRIPTION

Wells downdraft hood features completely self-contained air filtration. It does not require venting to the outside, making it possible to cook in nontraditional locations or when traditional hoods and ductwork are impractical, restricted, or too expensive. Operators can mix and match various electronic induction cooking utensils, such as pots, pans, and griddle plates.

WARRANTY

These units come with a one [1] year warranty for parts and labor.

CERTIFICATIONS



WELLS MANUFACTURING INTERNATIONAL INC.

265 Hobson Street • Smithville, Tennessee 37166
Telephone 888 264 7827 • Fax 314 781 5445
www.wells-mfg.com

SPECIFICATIONS

Filtration – Completely self-contained four stage filtration process and includes stainless steel grease baffle filter with grease tray, fiberglass pre-filters, high-efficiency air filter/ carbon-charcoal filter pack. All filters are easily removable without tools. Air flow sensors continually monitor air flow optimizing performance and grease removal while an interlock system will not allow cooking appliances to function if filters are missing, clogged or in the event of a fire.

Exhaust and Air Flow – Exhaust air is vertically discharged by a 1/4 hp motor. Typical airflow is 600 CFM. A minimum of 400 cubic feet of fresh air per minute is recommended both in and out of the cooking area to ensure the dilution of cooking aromas.

FEATURES

- LED light (Cool White) for improved visibility
- 4" diameter casters: (2) swivel locking & (2) rigid
- (4) 14" Induction cook tops
- Completely self-contained, 4-stage filtration system
- Stainless steel construction for strength, durability and ease of cleaning
- Fits through a 36" wide door opening
- Ventless downdraft system is movable making it ideal for leased properties
- Operates in 208V-240V
- Sneeze Guard
- Limited one-year parts and one year labor warranty

OPTIONS

- 4" Adjustable legs
- 6" Adjustable legs
- (4) Rigid casters
- (4) Swivel locking casters

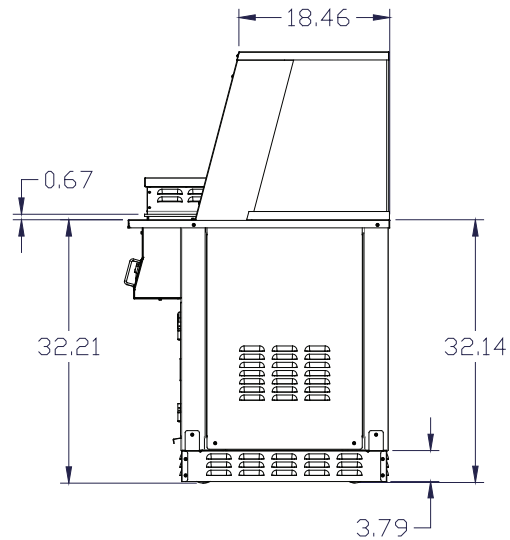
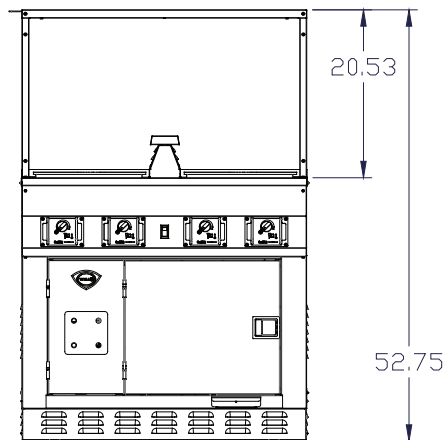
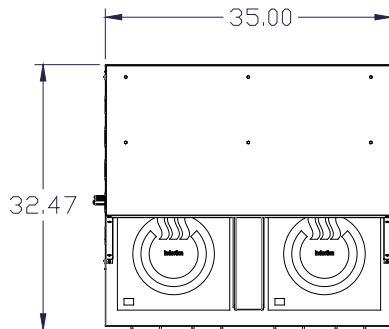


Printed in the U.S.A. • 2M-Z24441 • Rev A • (03-22)
Specifications are subject to change without notice and are not intended for installation purposes.



Job _____ Item No. _____

WELLS MODEL: WDDI-35



MODEL	HEIGHT in. (mm)	WIDTH in. (mm)	DEPTH in. (mm)	VOLTS	WATTS	Hz	PHASE	AMPS	APPROX. SHIP WEIGHT	APPROX. INSTALL WEIGHT
INDUCTION & DOWNDRAFT	52.75 (1339.8)	35 (889)	32.5 (825.5)	208V 240V	7200	50/60	1Ø	30	350 lb. (158.8 kg)	300 lb. (136.1 kg)

Due to periodic changes in designs, methods, procedures, policies and regulations, the specifications contained in this sheet are subject to change without notice. While Star Manufacturing exercises good faith efforts to provide information that is accurate, we are not responsible for errors or omissions in information provided or conclusions reached as a result of using the specifications. By using the information provided, the user assumes all risks in connection with such use.



WELLS MANUFACTURING INTERNATIONAL INC.

265 Hobson Street • Smithville, Tennessee 37166

Telephone 888 264 7827 • Fax 314 781 5445

www.wells-mfg.com

Printed in the U.S.A. • 2M-Z24441 • Rev A • (03-22)
Specifications are subject to change without notice
and are not intended for installation purposes.