

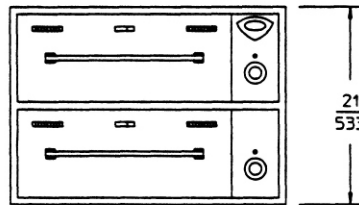
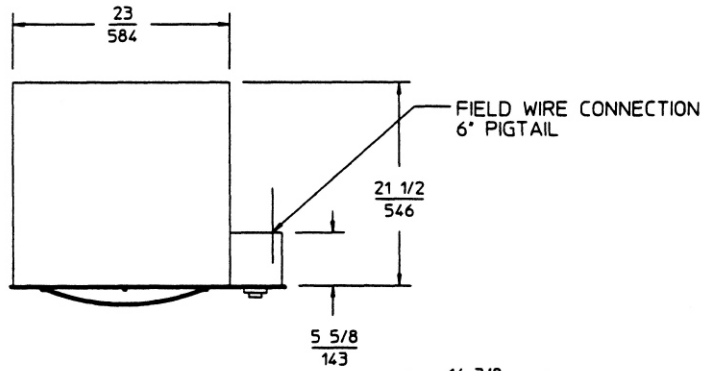
INSTALLATION INSTRUCTIONS
BUILT-IN DRAWER WARMERS
 MODELS RW-26, RWT-26,
 RW-26HD, RWT-26HD

ELECTRICAL

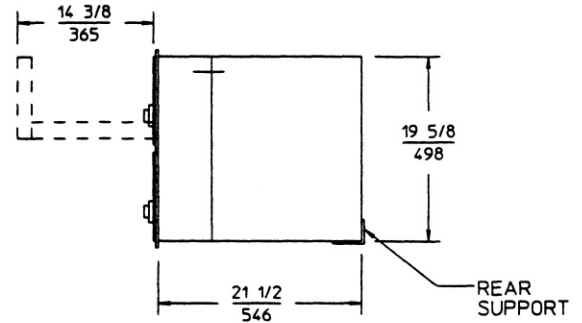
MODEL	VOLTS	WATTS	AMPS	PHASE	FIELD WIRING GAUGE	TEMP. RATING
RW-26	120	900	7.5	SINGLE	14	90°C
RW-26	208	676	3.3	SINGLE	14	90°C
RW-26	240	900	3.8	SINGLE	14	90°C

RW-26, RWT-26/26HD MODELS HAVE THE SAME ELECTRICAL SPECIFICATIONS AS THE STANDARD MODELS.

CUTOUT DETAILS



PRODUCT DIMENSIONS



INSTALLATION INSTRUCTIONS

INSTALLER MUST MEET CONDITIONS OF ACCEPTABILITY OUTLINED BELOW UPON INSTALLATION:

TO FABRICATE:

1. Layout front panel cutout dimensions and cutout hole in counter front panel.
2. Position attaching flange (supplied) in hole cutout to determine screw hole location. Drill holes using #34 drill.
3. Attach flange to front panel using #6 screws provided.
4. Fabricate rails and rear support in locations shown.

TO INSTALL:

1. For ease of installation, remove drawers from unit.
2. Slide unit through front panel opening until rear of unit engages rear support.
3. Remove upper control knob and upper control panel.
4. Install #8-32 speednuts on attaching flange, secure attaching flange to front panel, then secure unit to attaching flange using #8-32 flathead screws provided.
5. Connect service leads to the unit including ground wire.
6. Replace control panel and control knob.
7. Replace drawer.

